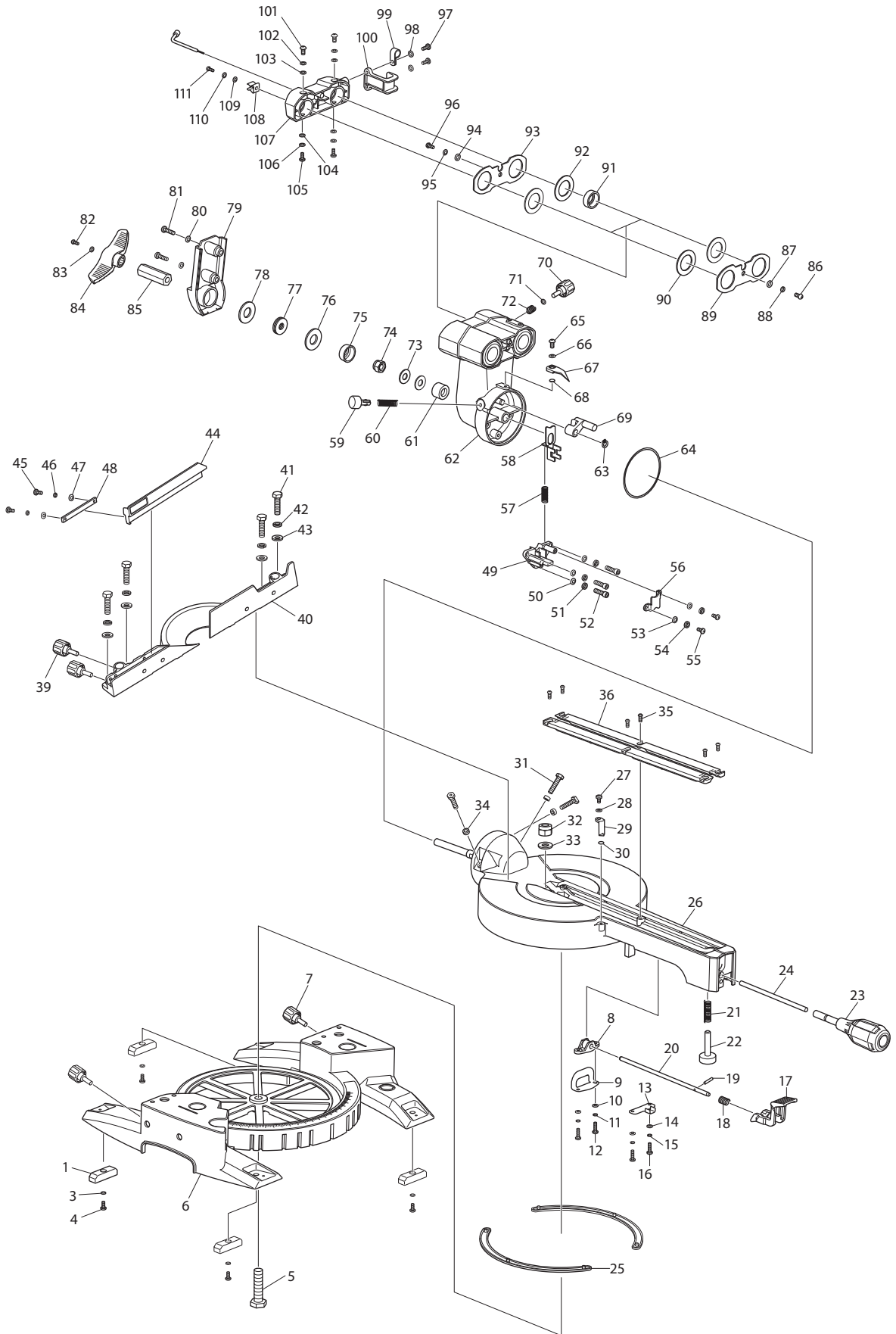


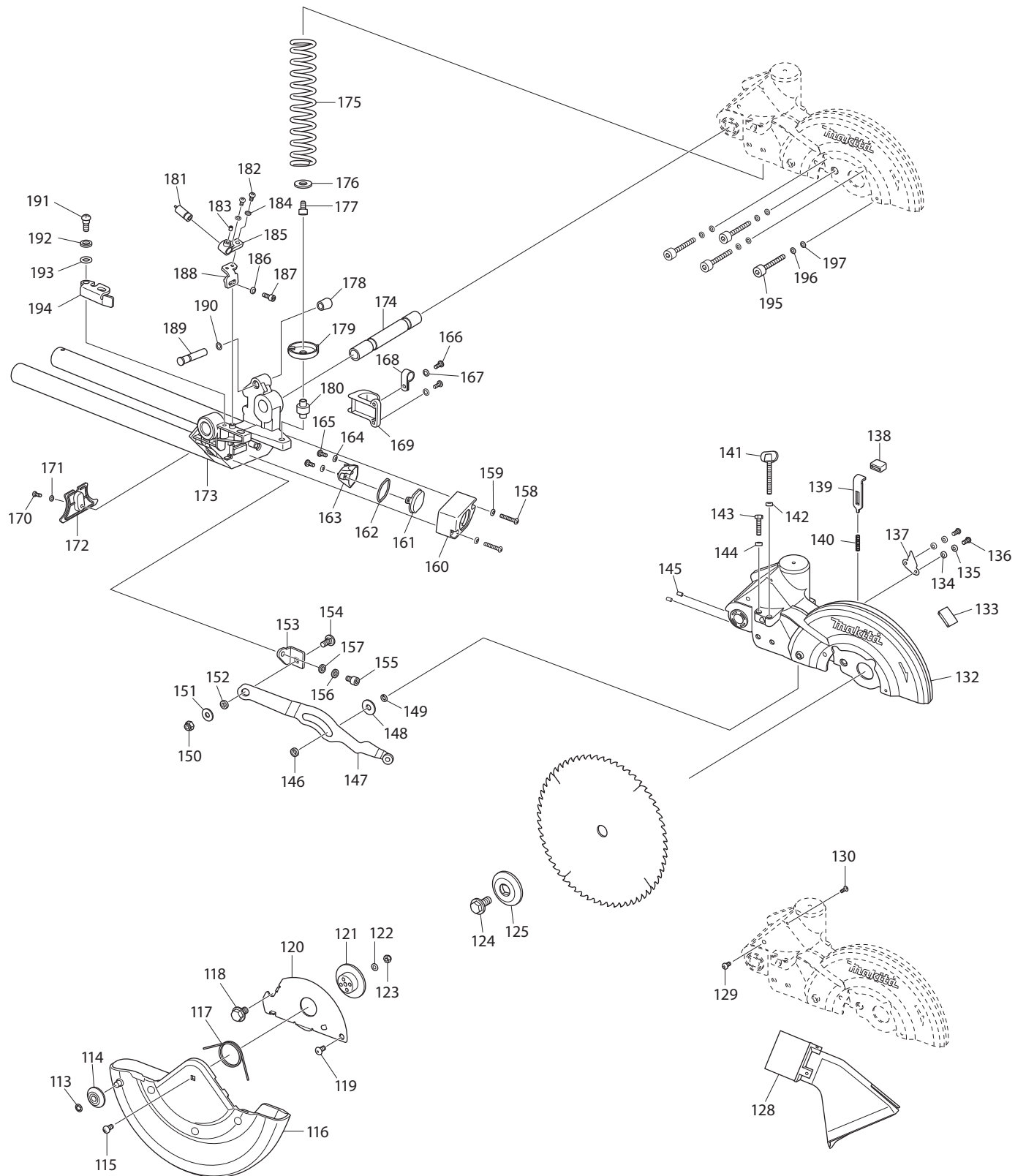


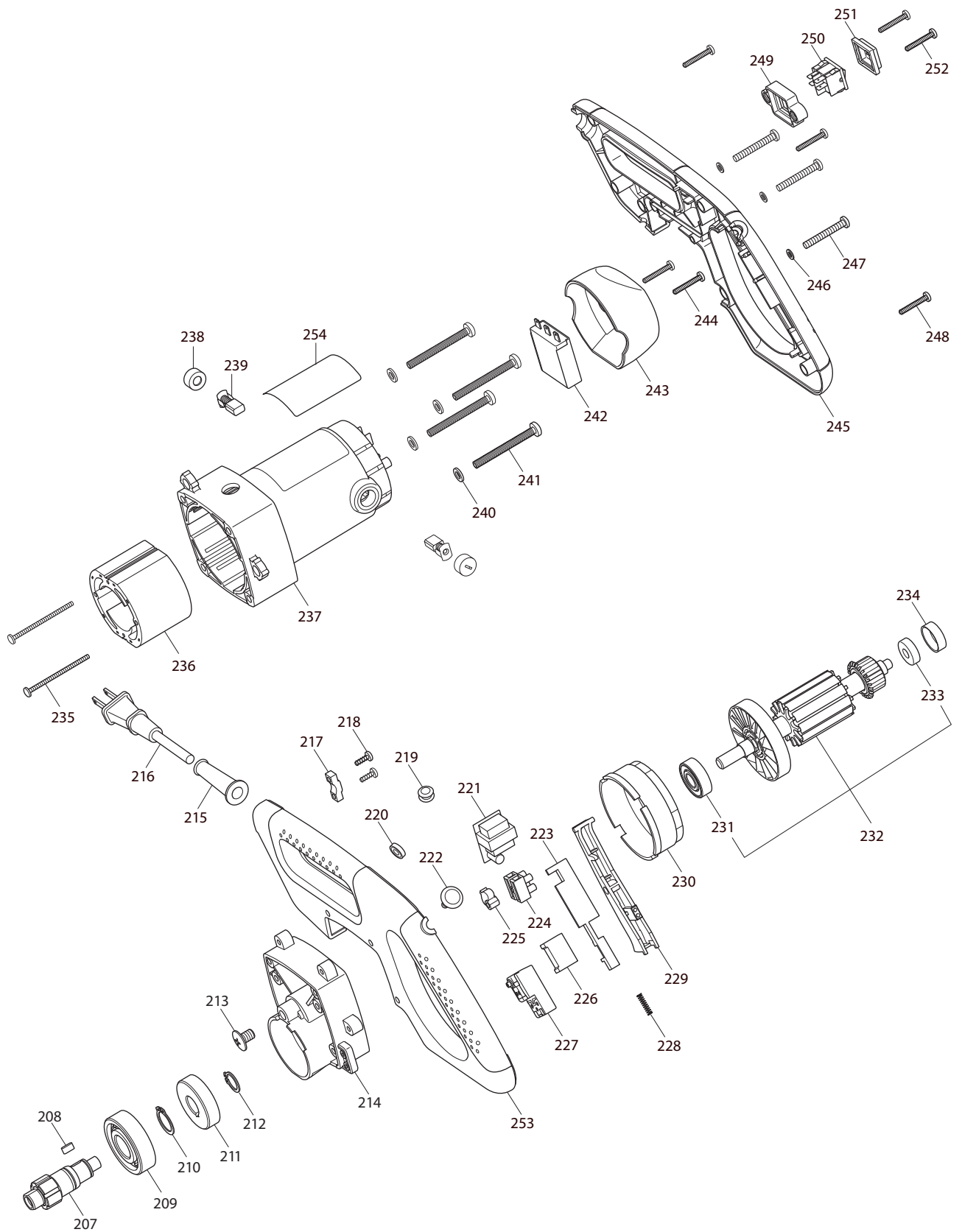
05 - 2014

LS0815FL

# 8-1/2" SLIDE COMPOUND MITRESAW







Item	Type	Sub	Parts_No.	Description	Qty	Unit
001			JM23500132	BUFFER PAD	4	PC.
002			JM23000127	* HOLDER	2	PC.
003			JM23100016	FLAT WASHER 4	4	PC.
004			JM23500008	CROSS HEAD SCREW M4X10	4	PC.
005			JM23500009	PIVOT SHAFT	1	PC.
006	2		JM23510001	* BASE COMPLETE	1	PC.
007	2		JM00000074	* PAN HEAD SCREW M6X20	2	PC.
008			JM23100025	WORKING TABLE LOCKING BRACKET	1	PC.
009			JM23100020	LOCK PLATE B	1	PC.
010			JM23100016	FLAT WASHER 4	2	PC.
011			JM23100015	SPRING WASHER 4	2	PC.
012	2		JM23100033	PAN HEAD SCREW M4X12	2	PC.
013			JM23100018	LOCK PLATE A	1	PC.
014			JM23100016	FLAT WASHER 4	2	PC.
015			JM23100015	SPRING WASHER 4	2	PC.
016	2		JM23100033	PAN HEAD SCREW M4X12	2	PC.
017			JM23100023	PRESS PLATE	1	PC.
018			JM23100021	LOCK SPRING	1	PC.
019			JM23100022	LOCK PIN	1	PC.
020			JM23500015	LOCK SHAFT B	1	PC.
021			JM23500014	SPRING11	1	PC.
022			JM23500013	ADJUSTABLE ROD	1	PC.
023			JM23100027	MITER LOCKING HANDLE	1	PC.
024			JM23500016	LOCK SHAFT A	1	PC.
025			JM23500012	FRICTION PLATE	2	PC.
026	1		JM23510017	* WORKING TABLE COMPLETE	1	PC.
		INC.	JM23500017	* BEVEL SCALE LABEL	1	PC.
		INC.	JM23500018	* LOCKING ROD	1	PC.
		INC.	JM23500019	* WORKING TABLE	1	PC.
		INC.	JM23500020	* ELASTIC PIN 4X30	1	PC.
		INC.	JM23500021	* HEX NUT M10	1	PC.
	2		JM23510002	* WORKING TABLE COMPLETE	1	PC.
		INC.	JM23500020	* ELASTIC PIN 4X30	1	PC.
		INC.	JM23500021	* HEX NUT M10	1	PC.
027	2		JM23100033	PAN HEAD SCREW M4X12	1	PC.
028			JM23100016	FLAT WASHER 4	1	PC.
029			JM23100030	MITER POINTER	1	PC.
030			JM23500053	EXTERNAL TOOTHED LOCK WASHER 4	1	PC.
031	2		JM23100034	HEX BOLT M6X28	1	PC.
032			JM23500023	LOCKNUT M8	1	PC.
033			JM23500022	FLAT WASHER 8	1	PC.
034	2		JM23100035	ANTI-LOOSEN RING	1	PC.
035	2		JM23100033	PAN HEAD SCREW M4X12	6	PC.
036			JM23100029	TABLE INSERT	2	PC.
039			JM23100013	KNOB FOR EXT.WING	2	PC.
040	1		JM23500026	* RIP FENCE	1	PC.
	2		JM00000081	* RIP FENCE	1	PC.
041			JM23100062	HEX BOLT M8X30	4	PC.
042			JM23100061	SPRING WASHER 8	4	PC.
043			JM23100060	FLAT WASHER 8	4	PC.
044	1		JM23500025	* SUB FENCE	1	PC.
	2		JM00000080	* SUB FENCE COMPLETE	1	PC.
045			JM23100065	CROSS HEAD SCREW M4X8	2	PC.
046			JM23100015	SPRING WASHER 4	2	PC.
047			JM23100016	FLAT WASHER 4	2	PC.

Item	Type	Sub	Parts_No.	Description	Qty	Unit
048			JM23500024	KEY	1	PC.
049			JM23500095	45DEGREE LIMIT BRACKET	1	PC.
050			JM23100007	FLAT WASHER 5	3	PC.
051			JM23100149	SPRING WASHER 5	3	PC.
052			JM23500096	H.S.BOLT M5X14	3	PC.
053			JM23100016	FLAT WASHER 4	2	PC.
054			JM23100015	SPRING WASHER 4	2	PC.
055			JM23500008	CROSS HEAD SCREW M4X10	2	PC.
056			JM23500097	45DEGREE COVER	1	PC.
057			JM23500094	SPRING8	1	PC.
058			JM23500093	45DEGREE LIMIT PLATE	1	PC.
059			JM23100051	LIMITED KNOB	1	PC.
060			JM23100049	MITER PRESSION SPRING	1	PC.
061			JM23100052	CLAMP PLATE	1	PC.
062			JM23510008	SUPPORT ARM COMPLTE	1	PC.
		INC.		Item No. 261-266		PC.
063			JM23500079	RETAINING RING 8	1	PC.
064			JM23500078	FRICTION RING	1	PC.
065	2		JM23100033	PAN HEAD SCREW M4X12	1	PC.
066			JM23100016	FLAT WASHER 4	1	PC.
067			JM23100048	BEVEL POINTER	1	PC.
068			JM23500053	EXTERNAL TOOTHED LOCK WASHER 4	1	PC.
069			JM23500080	90DEGREE LIMIT BRACKET	1	PC.
070			JM23100086	SLIDING BAR LOCKING KNOB	1	PC.
071			JM23100190	SPECIAL WASHER 6	1	PC.
072			JM23100088	PRESSURE SPRING	1	PC.
073			JM23100010	FLAT WASHER 10	2	PC.
074			JM23100009	LOCKNUT M10	1	PC.
075			JM23100053	BOWL TYPE PLATE	1	PC.
076			JM23100055	BIG FLAT WASHER 10X26X2.5	1	PC.
077			JM23100054	SURFACE BEARING	1	PC.
078			JM23100055	BIG FLAT WASHER 10X26X2.5	1	PC.
079			JM23500086	SUPPORT ARM COVER	1	PC.
080			JM23100007	FLAT WASHER 5	2	PC.
081			JM23100006	CROSS HEAD SCREW M5X20	2	PC.
082			JM23100019	CROSS HEAD SCREW M4X18	1	PC.
083			JM23100016	FLAT WASHER 4	1	PC.
084			JM23500087	BEVEL LOCKING HANDLE	1	PC.
085			JM23500088	HEX NUT	1	PC.
086			JM23500081	CROSS HEAD SCREW M5X	1	PC.
087			JM23100007	FLAT WASHER 5	1	PC.
088			JM23100149	SPRING WASHER 5	1	PC.
089			JM23500082	SUPPORT ARM COVER	1	PC.
090			JM23500083	DUSTPROOF RING	2	PC.
091			JM23500084	BEARING GASKET (removed)	1	PC.
092			JM23500083	DUSTPROOF RING	2	PC.
093			JM23500082	SUPPORT ARM COVER	1	PC.
094			JM23100007	FLAT WASHER 5	1	PC.
095			JM23100149	SPRING WASHER 5	1	PC.
096			JM23500081	CROSS HEAD SCREW M5X	1	PC.
097	2		JM23100019	CROSS HEAD SCREW M4X18	1	PC.
098	2		JM23100016	FLAT WASHER 4	1	PC.
099	2		JM23100194	CORD CLAMP	1	PC.
100			JM23500066	CABLE HOLDER BRACKET	1	PC.

Item	Type	Sub	Parts_No.	Description	Qty	Unit
101			JM23500081	CROSS HEAD SCREW M5X	2	PC.
102			JM23100149	SPRING WASHER 5	2	PC.
103			JM23100007	FLAT WASHER 5	2	PC.
104			JM23100007	FLAT WASHER 5	2	PC.
105			JM23500081	CROSS HEAD SCREW M5X	2	PC.
106			JM23100149	SPRING WASHER 5	2	PC.
107			JM23500085	SLIDING BAR BRACKET	1	PC.
108			JM23100091	WRENCH CLIP	1	PC.
109			JM23100016	FLAT WASHER 4	1	PC.
110			JM23100015	SPRING WASHER 4	1	PC.
111	2		JM23100033	PAN HEAD SCREW M4X12	1	PC.
113			JM23100103	WHEEL LOCK RING	1	PC.
114			JM23100102	GUARD WHEEL	1	PC.
115			JM23500031	SQUARE NECK BOLT M5X12	1	PC.
116	2		JM23510024	LOW BLADE GUARD	1	PC.
117			JM23500035	GUARD SPRING	1	PC.
118			JM23500134	HEX BOLT M8X15	1	PC.
119			JM23100113	CROSSHEAD SCREW FOR GUARD	1	PC.
120			JM23500036	LOW GUARD FIX PLATE	1	PC.
121			JM23500037	GUARD LINKAGE CENTER PLATE	1	PC.
122			JM23100007	FLAT WASHER 5	1	PC.
123			JM23100141	LOCKNUT M5	1	PC.
124			JM23500135	BLADE BOLT	1	PC.
125	2		JM23500038	BLADE FLANGE	1	PC.
128			JM23500039	DUST PORT	1	PC.
129	2		JM23500040	CROSS HEAD SCREW ST4.2X12	1	PC.
130	2		JM23500040	CROSS HEAD SCREW ST4.2X12	1	PC.
131			JM23500034	CROSS HEAD SCREW	1	PC.
132			JM23510005	UP BLADE GUARD COMPLETE	1	PC.
132		INC.		Item No. 271-273		PC.
133			JM23500047	GUARD INSERT	1	PC.
134			JM23100016	FLAT WASHER 4	2	PC.
135			JM23100015	SPRING WASHER 4	2	PC.
136	2		JM23100033	PAN HEAD SCREW M4X12	2	PC.
137			JM23500048	LOCK PLATE	1	PC.
138			JM23100138	LOCK COVER	1	PC.
139	2		JM23500139	LOCK PLATE	1	PC.
140			JM23500049	LOCK SPRING5	1	PC.
141			JM23100119	LIMITED KNOB	1	PC.
142			JM23100035	ANTI-LOOSEN RING	1	PC.
143			JM23500051	HEX BOLT M6X25	1	PC.
144			JM23100035	ANTI-LOOSEN RING	1	PC.
145			JM23500052	H.S.SET SCREW	2	PC.
146			JM23100098	LINK SLEEVE	1	PC.
147			JM23510003	LINK COMPLETE	1	PC.
		INC.	JM23500028	LINK	1	PC.
		INC.	JM23500029	LINK PIN	1	PC.
		INC.	JM23500030	BEARING 695Z	1	PC.
148			JM23100071	THIN FLAT WASHER 6	1	PC.
149			JM23100115	RETAINING RING 5	1	PC.
150			JM23500027	LOCK THIN NUT	1	PC.
151			JM23100071	THIN FLAT WASHER 6	1	PC.
152			JM23100098	LINK SLEEVE	1	PC.
153			JM23500055	LINK FIX PLATE	1	PC.

Item	Type	Sub	Parts_No.	Description	Qty	Unit
154			JM23500054	SQUARE NECK BOLT M6X14	1	PC.
155			JM23500071	H.S.BOLT M6X12	1	PC.
156			JM23100151	SPRING WASHER 6	1	PC.
157			JM23100190	SPECIAL WASHER 6	1	PC.
158			JM23500056	CROSS HEAD SCREW M4X28	2	PC.
159			JM23100016	FLAT WASHER 4	2	PC.
160			JM23500057	LAMP COVER	1	PC.
161			JM23500058	LAMP LENZ	1	PC.
162			JM23500059	SEALING RING	1	PC.
163			JM23510006	LAMP ASSY	1	PC.
		INC.	JM23500060	REFLECTOR	1	PC.
		INC.	JM23500061	LIGHT	1	PC.
164			JM23500128	FLAT WASHER 3	2	PC.
165			JM23500062	S.T.CROSS HEAD SCREW 9X13	2	PC.
166	2		JM23100019	CROSS HEAD SCREW M4X18	1	PC.
167	2		JM23100016	FLAT WASHER 4	1	PC.
168	2		JM23100194	CORD CLAMP	1	PC.
169			JM23500066	CABLE HOLDER BRACKET	1	PC.
170			JM23500008	CROSS HEAD SCREW M4X10	1	PC.
171			JM23100016	FLAT WASHER 4	1	PC.
172			JM23500077	BRACKET BACK COVER	1	PC.
173	1		JM23510020	UP BLADE GUARD BRACKETCOMPLETE	1	PC.
		INC.	JM23500075	ELASTIC PIN 5	2	PC.
		INC.	JM23500076	UP BLADE GUARD BRACKET	1	PC.
173	2		JM23510007	UP BLADE GUARD BRACKET COMP	1	PC.
174			JM23500064	CONNECTION SHAFT	1	PC.
175			JM23500072	SPRING32	1	PC.
176			JM23500022	FLAT WASHER 8	1	PC.
177			JM23500071	H.S.BOLT M6X12	1	PC.
178			JM23100097	PIN CAP	1	PC.
179			JM23500065	SPRING BRACKET	1	PC.
180			JM23500063	SPRING SUPPORT PIN	1	PC.
181			JM23500070	LASER	1	PC.
182	2		JM23100146	H.S.BOLT M4X10	2	PC.
183			JM23500069	H.S.SET SCREW	1	PC.
184			JM23100016	FLAT WASHER 4	2	PC.
185			JM23500067	LASER BRACKET	1	PC.
186			JM23100016	FLAT WASHER 4	1	PC.
187	2		JM23100146	H.S.BOLT M4X10	1	PC.
188			JM23500073	LASER MOVING PLATE	1	PC.
189	2		JM23100193	PIN C	1	PC.
190			JM23100150	SEALING RING	1	PC.
191			JM23100096	DEPTH ADJUSTABLE PLATE BOLT	1	PC.
192			JM23100060	FLAT WASHER 8	1	PC.
193			JM23100094	WAVE SPRING WASHER	1	PC.
194			JM23100092	CUTTING DEPTH ADJUSTABLE PLATE	1	PC.
195			JM23500041	H.S.BOLT M6X40	4	PC.
196			JM23100151	SPRING WASHER 6	4	PC.
197			JM23100190	SPECIAL WASHER 6	4	PC.
207			JM23500103	OUTPUT SHAFT	1	PC.
208			JM23100156	KEY 5X10	1	PC.
209			JM23100157	BEARING 6304	1	PC.
210			JM23100158	RETAINING RING 20	1	PC.
211			JM23500104	GEAR WHEEL	1	PC.

Item	Type	Sub	Parts_No.	Description	Qty	Unit
212			JM23100160	RETAINING RING 16	1	PC.
213			JM23100161	OUTPUT SHAFT SCREW M8X12	1	PC.
214			JM23510011	GEAR BOX COMPLETE	1	PC.
215		3	JM00000268	PROTECTION TUBE	1	PC.
216			JM23000163	POWER SUPPLY CORD	1	PC.
217			JM23100166	CORD CLAMP	1	PC.
218		2	JM23500040	CROSS HEAD SCREW ST4.2X12	2	PC.
219			JM23500108	PROTECTIVE SLEEVE	1	PC.
221			JM23500106	TRANSFORMER	1	PC.
222			JM23100177	BRAKE SYSTEM SWITCH KEY	1	PC.
223			JM23100175	SWITCH LOCK PLATE	1	PC.
224			JM23100171	TERMINAL POLE	1	PC.
225			JM23100173	SWITCH LOCK BRACKET	1	PC.
226			JM23100169	CAPACITOR	1	PC.
227			JM23100179	ELECTRIC SWITCH	1	PC.
228			JM23100176	SWITCH HANDLE SPRING	1	PC.
229			JM23100174	SWITCH HANDLE	1	PC.
230			JM23500110	BAFFLER RING	1	PC.
231			JM23500137	BALL BEARING 6201	1	PC.
232			JM23500003	ARMATURE(120V)	1	PC.
		INC.		Item No. 231,233		PC.
233			JM23500111	BEARING 608	1	PC.
234			JM23500112	DAMPING RING	1	PC.
235			JM23500113	S.T. CROSS HEAD 4.2X65	2	PC.
236			JM23500006	FIELD 120V	1	PC.
237			JM23510022	* MOTOR HOUSING COMPLETE	1	PC.
		INC.	JM23500115	* BRUSH HOLDER	2	PC.
		INC.	JM23100185	* H.S.SCREW M5X8 (removed)	2	PC.
237		2	JM23510012	* MOTOR HOUSING COMPLETE	1	PC.
238			JM23500116	BRUSH COVER	2	PC.
239		2	JM23500117	CARBON BRUSH 2PCS/SET	1	SET
240			JM23100190	SPECIAL WASHER 6	4	PC.
241			JM23500118	CROSS HEAD SCREW M6X60	4	PC.
242		2	JM23500138	SOFT STARTER	1	PC.
243			JM23500119	MOTOR REAR COVER	1	PC.
244			JM23100167	SELF TAPPING SCREW M4X16	2	PC.
245			JM23500121	RIGHT HANDLE	1	PC.
246			JM23100007	FLAT WASHER 5	3	PC.
247			JM23500123	CROSS HEAD SCREW M5X40	3	PC.
248			JM23100167	SELF TAPPING SCREW M4X16	3	PC.
249			JM23500124	SWITCH BRACKET	1	PC.
250			JM23500125	LASER SWITCH	1	PC.
251			JM23500126	LASER SWITCH PROTECTIVE COVER	1	PC.
252			JM23500120	ST CROSS HEAD SCREW 4.2X28	2	PC.
253			JM23500107	LEFT HANDLE	1	PC.
254			JM23580018	NAMEPLATE - removed	1	PC.
255			JM00000038	* EXTENSION TABLE ASSEMBLY	2	PC.
		INC.		* Item No. 277, 278		PC.
256			JM2708B060	* CAUTION LABEL	2	PC.
257			JM23100034	HEX BOLT M6X28	1	PC.
258			JM23100035	ANTI-LOOSEN RING	1	PC.
259			JM23100034	HEX BOLT M6X28	1	PC.
260			JM23100035	ANTI-LOOSEN RING	1	PC.
261			JM23100087	LOCK SCREW M6X8	2	PC.



Item	Type	Sub	Parts_No.	Description	Qty	Unit
262			JM23100081	BUFFER A	2	PC.
263			JM23500089	LINEAR BEARING	3	PC.
264			JM23500092	BEARING GASKET	2	PC.
265			JM23500090	SUPPORT ARM	1	PC.
266			JM23500091	ANGLE LIMIT	1	PC.
267			JM23100019	CROSS HEAD SCREW M4X18	1	PC.
268			JM23100016	FLAT WASHER 4	1	PC.
269			JM23500038	BLADE FLANGE	1	PC.
271			JM23500046	UP BLADE GUARD	1	PC.
272			JM23100114	LINK PIN	1	PC.
273			JM23100147	BUFFER	1	PC.
274			JM23100019	CROSS HEAD SCREW M4X18	1	PC.
275			JM23100016	FLAT WASHER 4	1	PC.
276			JM23100016	FLAT WASHER 4	2	PC.
277			JM00000259	WING BOLT M6X14	2	PC.
278			JM00000260	LEVELING FOOT BOLT M8X54	2	PC.

### **ACCESSORIES**

A02			A-95934	8-1/2" C.T. SAW BLADE 48T 5/8"	1	PC.
A03			JM23510009	WISE ASSEMBLY	1	PC.
		INC.	JM23500098	GUIDE ROD	1	PC.
		INC.	JM23100152	WING KNOB,M6X10	1	PC.
		INC.	JM23500099	CLAMP KNOB	1	PC.
		INC.	JM27000218	WISE ARM	1	PC.
		INC.	JM27000219	WISE PLATE	1	PC.
		INC.	JM23100065	CROSS HEAD SCREW M4X8	1	PC.
		INC.	JM23100016	FLAT WASHER 4	1	PC.
		INC.	JM23100015	SPRING WASHER 4	1	PC.
A04			JM23510010	DUST BAG ASSY	1	PC.
		INC.	JM23500100	DUST BAG BEAM	1	PC.
		INC.	JM23500101	DUST BAG CLAMP	1	PC.
		INC.	JM23500102	DUST BAG	1	PC.
A05			JM27000328	TRIANGLE PLATE	1	PC.
A06	2		JM23100197	BOX WRENCH 13-3	1	PC.
A07	1		194061-1	BENCHTOP MITER SAW STAND B (Parts Breakdown Available)	1	PC.
	2		198688-9	BENCHTOP MITER SAW STAND B	1	PC.
A08			WST05	MITRE SAW STAND SET (See Parts Breakdown WST05)	1	PC.
A09			WST06	MITRE SAW STAND SET (See Parts Breakdown WST06)	1	PC.
A10			198687-1	MITRE SAW STAND SET WST01	1	PC.

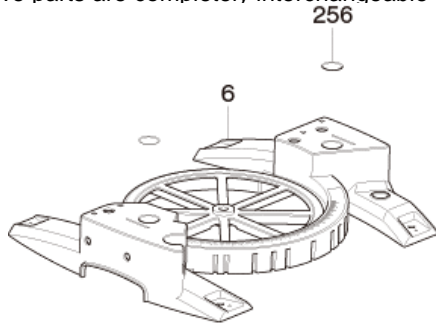
**SERVICE CHANGES**

**1. Changes on BASE COMPLETE (Y08276)**

Item No.	Description	Type 1	Type 2
006	BASE COMPLETE	JM23510014	JM23510001
006	MITER SCALE LABEL	JM23500010	-----
006	CAUTION LABEL	JM2708A060	-----
006	BASE	JM23500011	-----
006	CAUTION LABEL	JM2318B063	-----
006	CAUTION LABEL	JM2318A064	-----
256	CAUTION LABEL	-----	JM2708B060

Component of Item No. 6

Above parts are completely interchangeable as a set.

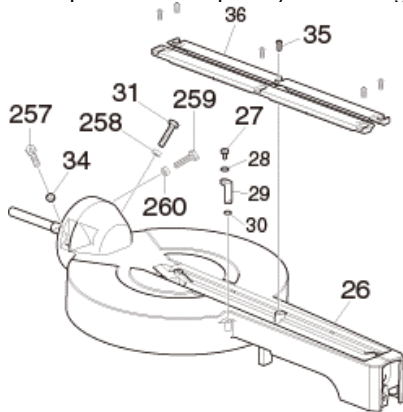


**2. Changes on WORKING TABLE COMPLETE (Y08276)**

Item No.	Description	Type 1	Type 2
026	WORKING TABLE COM.	JM23510017	JM23510002
026	BEVEL SCALE LABEL	JM23500017	-----
026	LOCKING ROD	JM23500018	-----
026	WORKING TABLE	JM23500019	-----
026	CAUTION LABEL	JM23180067	-----
026	ELASTIC PIN 4X30	JM23500020	
026	HEX NUT M10	JM23500021	

Component of Item No. 26

Above parts are completely interchangeable as a set.



**3. Changes on MOTOR HOUSING COMPLETE (Y08276)**

Item No.	Description	Type 1	Type 2
----------	-------------	--------	--------

237	MOTOR HOUSING COM.	JM23510022	JM23510012	Component of Item No. 237
237	MOTOR HOUSING	JM23500114	-----	
237	BRUSH HOLDER	JM23500115	-----	
237	HS SCREW M5X8	JM23100185	-----	
237	CAUTION LABEL	JM23180061	-----	
237	CAUTION LABEL	JM23180062	-----	

Above parts are completely interchangeable as a set.

**4. Changes on HOLDER, EXTENSION TABLE ASSY, KNOB F/EXT. WING, RIP FENCE, SUB FENCE**  
(Y08275)

Item No.	Description	Type 1	Type 2
A01	HOLDER	JM23000127	-----
002	HOLDER	-----	JM23000127
255	EXTENSION TABLE ASSY	-----	JM00000038
007	KNOB FOR EXT. WING	JM23100013	JM00000074
040	RIP FENCE	JM23500026	JM00000081
044	SUB FENCE	JM23500025	JM00000080

Above parts are completely interchangeable as a set.

